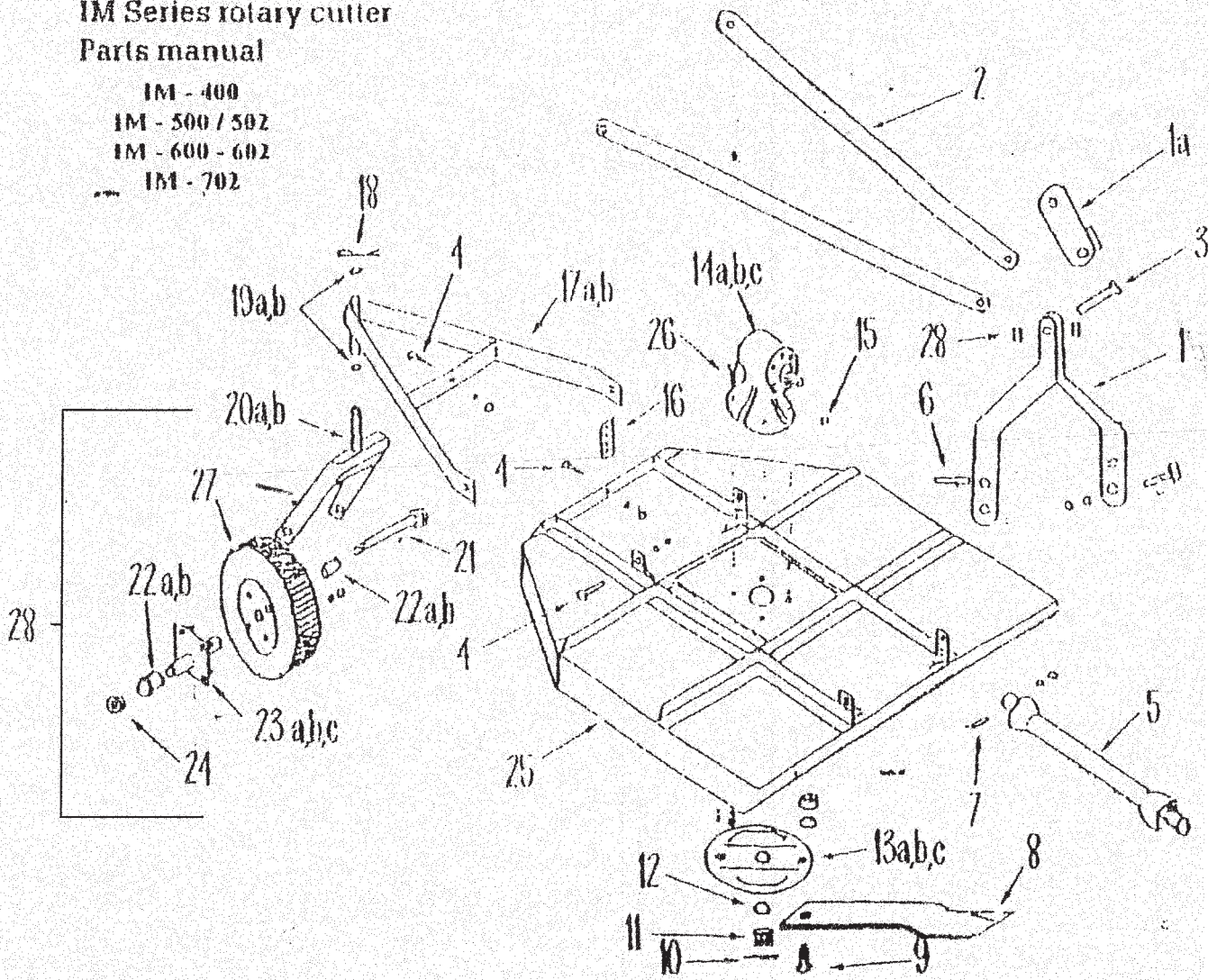


IM Series rotary cutter
Parts manual

- IM - 400
- IM - 500 / 502
- IM - 600 - 602
- IM - 702



Rotary Cutter Spare Parts List

<u>Position</u>	<u>Part #</u>	<u>Description</u>
1A	CHE-WACRCAF-H	3-pt. A-Frame Heavy (IM600-IM702)
1B	CHE-WACRCAF-L	3-pt. A-Frame Light (IM380-IM500)
2A	CHE-WAC-RCBB5	Brace Bar (IM500)
2B	CHE-WAC-RCBB6	Brace Bar (IM600-IM602)
2C	CHE-WAC-RCBB7	Brace Bar (IM702)
3		Brace Bar Bolt/Nut/Lockwasher 5/8 x 4.5
4		A-Frame Mounting Bolt/Nut/Washer 3/4" x 16 x 2
5A	TX4-740	Drive Shaft (PTO) (IM500 Shearpin)
5B	TX4-790 -FD2	Drive Shaft (PTO) (IM502 with slip clutch)
5C	TX4-890	Drive Shaft (PTO) (IM600 Shearpin)
5D	TX4-840-FD2	Drive Shaft (PTO) (IM602 with slip clutch)
5E	TX5-IM702	Drive Shaft (PTO) (IM702)
6		Lift Arm Pin
7		Shear Bolt 1/2 x 3.5 Grade 2 (soft)
8A	IM4	Blade (IM400)
8B	IM5	Blade (IM500-502)
8C	IM6	Blade (IM600-602)
8D	IM6HD	Blade (IM602 HD)
8E	WAC23	Blade (IM600-IM702) (4" wide)
9A	BB62	Blade Bolt
9B	JN118	Jam Nut for Blade Bolt
9C	LW118	Lockwasher for Blade Bolt
10		Flywheel Cotter Pin
11	CHE-11-008	Castle Nut (Output shaft)
12		Flat Washer
13A	CHE-WACFW-40-11.5	Flywheel- 11.5" Bolt Hole Spacing 40HP (1.57" 12-spline Hub)
13B	CHE-WACFW-40-14	Flywheel- 14" Bolt Hole Spacing 40HP (1.57" 12-spline Hub)
13C	CHE-WACFW-75-11.5	Flywheel- 11.5" Bolt Hole Spacing 75HP (1.97" 15-spline Hub)
13D	CHE-WACFW-75-14	Flywheel- 14" Bolt Hole Spacing 75HP (1.97" 15-spline Hub)
14A	01-008	Gear Box- 40 HP with Shear Bolt (smooth input), 12-spline output
14B	CHE-01-004	Gear Box- 40 HP 6-spline input shaft, 12-spline output shaft
14C	CHE-250372	Gear Box- 75 HP 6-spline input, 15-spline output
14D	CHE-01-268	Gear Box- 105 HP- 20-spline input, 15-spline output
15		Snap Ring 40 HP Shear Bolt Only
16		Tailwheel Height Plate
17	CHE-RC16	Tailwheel A-Frame
18	CHE-16-102D	Tailwheel Cotter Pin
19		Tailwheel Fork Washers
20A	CHE-RC-007	Tailwheel Fork- (1986-2006) 1-1/2" post
20B	CHE-16-098	Tailwheel Fork- (2006-Current) 1-1/4" post
21	CHE-RC-001	Axle Bolt- 1" x 9"
22	CHE-1-G/B	Graphoil Bushing
23A	CHE-RCFABHUB	Fabricated Hub, 4-bolt, Standard Duty
23B	CHE-16-097C	Heavy Duty Bushing type hub (IM600-702)
24		Nut for axle bolt (1" castle nut)
25		Main Body
26		Gear Box Mounting Bolts
27A	CHE-4x8	ailwheel 15" with rim (no hub)
27B	CHE-6x9-4lug	Tailwheel 21" with 4-lug rim
27C	CHE-6x9-5lug	Tailwheel 21" with 5-lug rim
28A	CHE-16-102-Bush	Complete Tailwheel Assy. 1-1/2" post, bushing type hub
28B	CHE-16-102	Complete Tailwheel Assy. 1-1/2" post, tapered bearing hub
28C	CHE-16-097	Complete Tailwheel Assy. 1-1/4" post